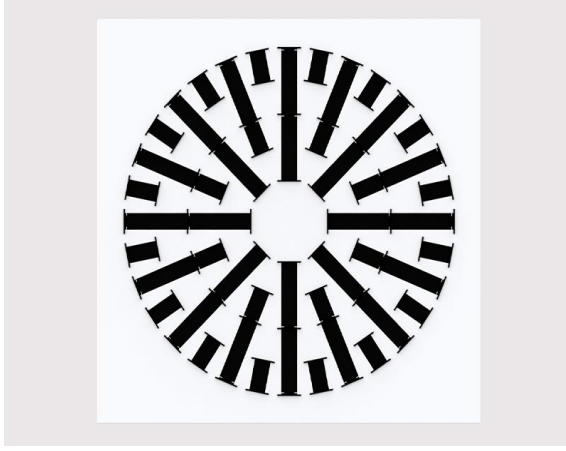
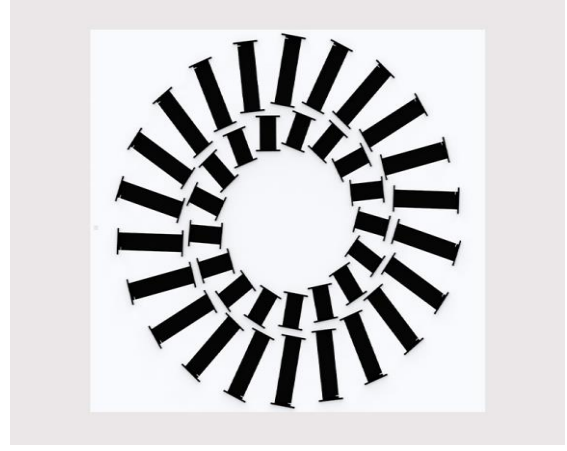


SWIRLL DIFFUSERS-CKD-02



SWIRLL DIFFUSERS- CKD02 A



SWIRLL DIFFUSERS - CKD02 B

AREAS OF USE AND FEATURES: It is used as blowing diffusers in Hvac systems. It is suitable for vertical shooting. The ideal shooting distance is between 2.5-4 m. It is used in ceiling applications. Standard production is screwless in square ceilings. Other sizes are standard manufacturing screw. The way of mounting can be changed optionally.

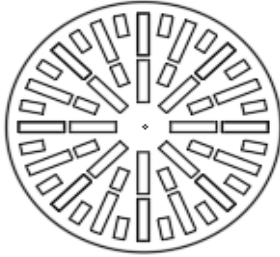
MATERIAL: The body is made of galvanized plate. The wings are made of ABS material by plastic injection method.

SURFACE COATING: The product can be manufactured in any color with electrostatic powder paint. The wings are manufactured in standard black color.

AKSESUARLAR: Plenum kutusu

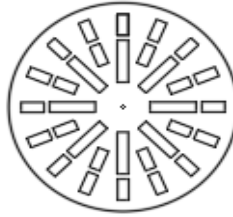
CKD02-A/B SWIRL DIFFUSERS - STANDARD MODEL

60*60(Ø600)



CKD-02-AD6
520 m³/h - 1040 m³/h
NOISE LEVEL :20 - 40 dBA

500*500(Ø500)

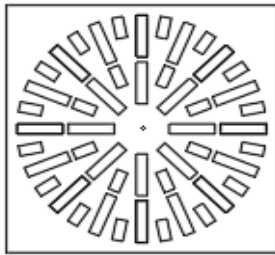


CKD-02-AD5
232 m³/h - 465 m³/h
NOISE LEVEL :20 - 40 dBA

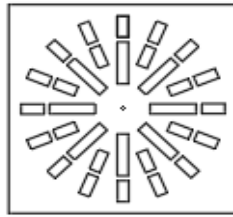
400*400(Ø400)



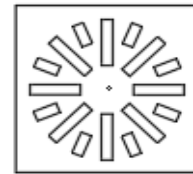
CKD-02-AD4
174 m³/h - 347 m³/h
NOISE LEVEL :20 - 40 dBA



CKD-02-A6
520 m³/h - 1040 m³/h
NOISE LEVEL :20 - 40 dBA



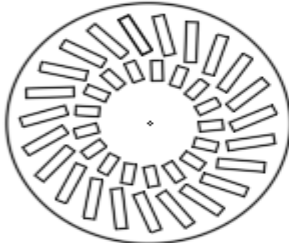
CKD-02-A5
232 m³/h - 465 m³/h
NOISE LEVEL :20 - 40 dBA



CKD-02-A4
174 m³/h-347 m³/h
NOISE LEVEL :20 - 40 dBA

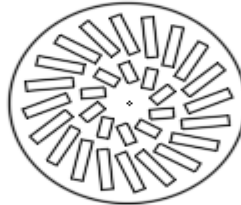
AIR SPEED MİN.2 m/s MAX.4 m/s

60*60(Ø600)



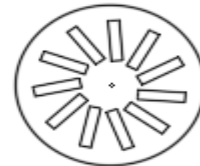
CKD-02-BD6
455 m³/h - 910 m³/h
NOISE LEVEL :20 - 40 dBA

500*500(Ø500)

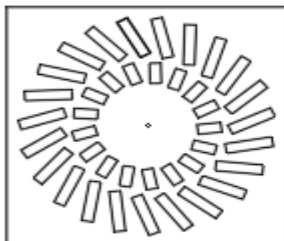


CKD-02-BD5
362 m³/h - 720 m³/h
NOISE LEVEL :20 - 40 dBA

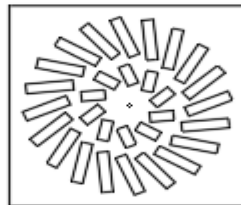
400*400(Ø400)



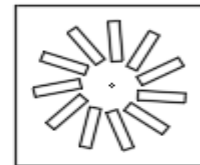
CKD-02-BD4
160 m³/h - 320 m³/h
NOISE LEVEL :20 - 40 dBA



CKD-02-B6
455 m³/h - 910 m³/h
NOISE LEVEL :20 - 40 dBA



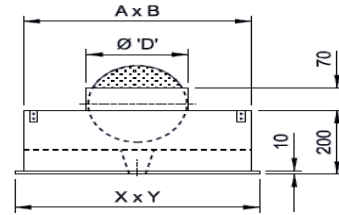
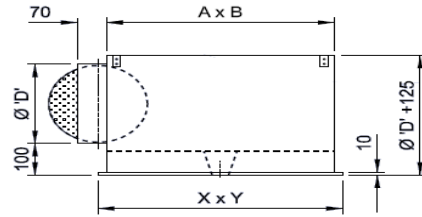
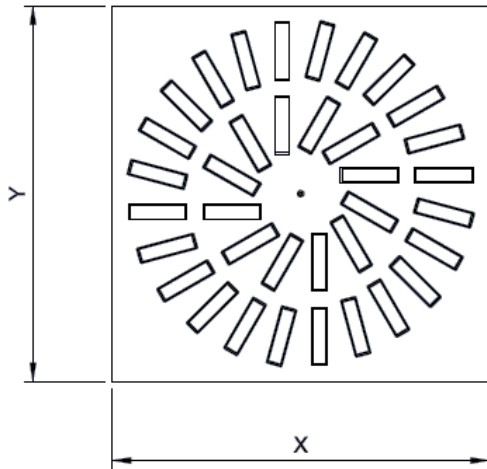
CKD-02-B5
362 m³/h - 720 m³/h
NOISE LEVEL :20 - 40 dBA



CKD-02-BD4
160 m³/h - 320 m³/h
NOISE LEVEL :20 - 40 dBA

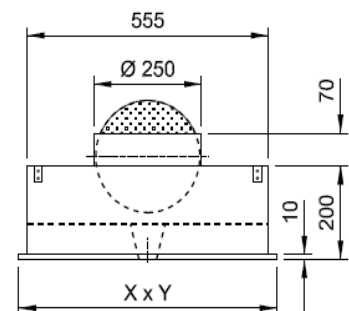
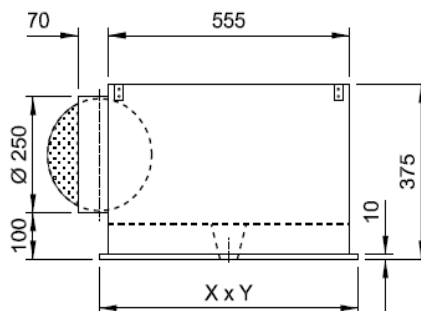
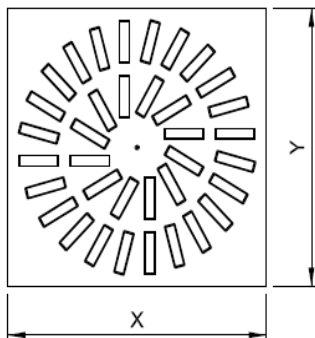
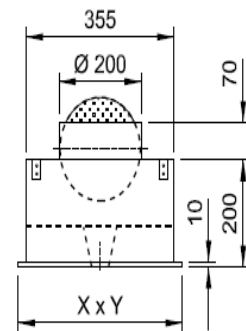
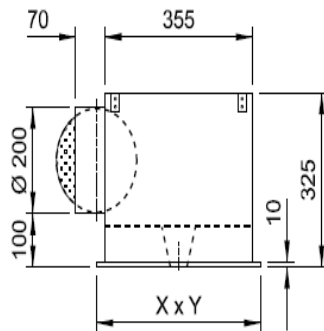
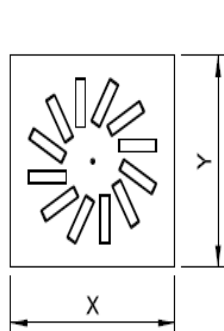
AIR SPEED MİN.2 m/s MAX.4 m/s

TEKNICAL MEASUREMENT:

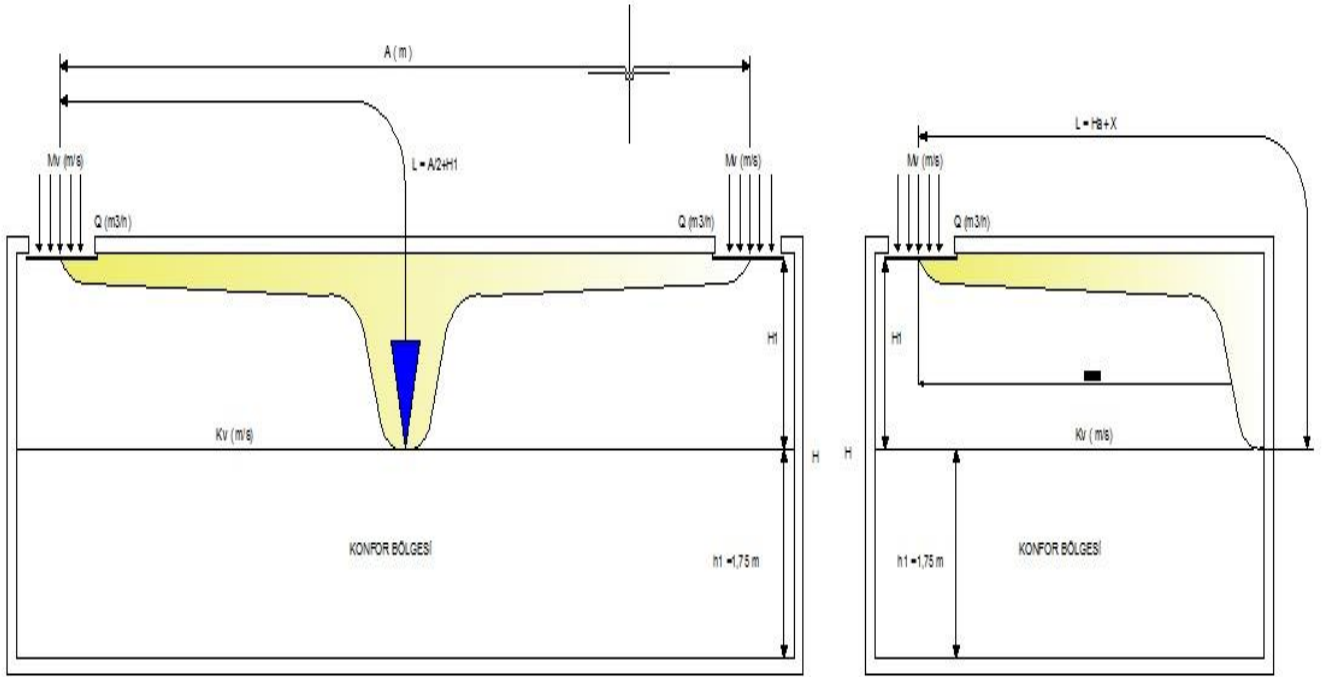


MODEL	DIMENSION (mm)		
	XxY	AxB	Ø 'D'
A - AD	400 x 400	350 x 350	Ø 198
A - AD	500 X 500	455 x 455	Ø 198
A - AD	600 X 600	555 x 555	Ø 248
A - AD	620 x 620	555 x 555	Ø 248

MODEL	DIMENSION (mm)		
	XxY	AxB	Ø 'D'
B - BD	400 x 400	340 x 340	Ø 198
B - BD	500 X 500	455 x 455	Ø 198
B - BD	600 X 600	555 x 555	Ø 248
B - BD	620 x 620	555 x 555	Ø 248



AIR FLOW TYPE :



Q (m3/h)	Air flow
Mv (m/s)	air outlet speed
H	Ceiling height
H1	The distance the air has to reach
h1	Comfort zone
Kv	The final speed of air in the comfort zone
A (m.)	Required distance between diffusers
L (m)	Shooting distance
Mef.(m2)	Diffuser effective area

